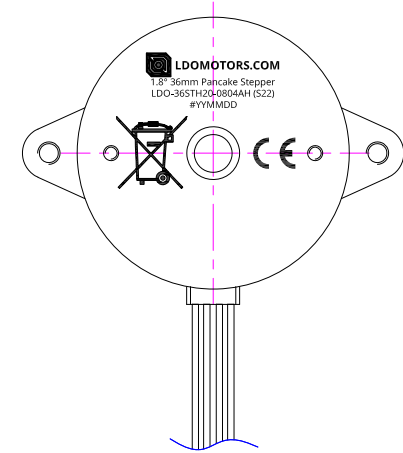
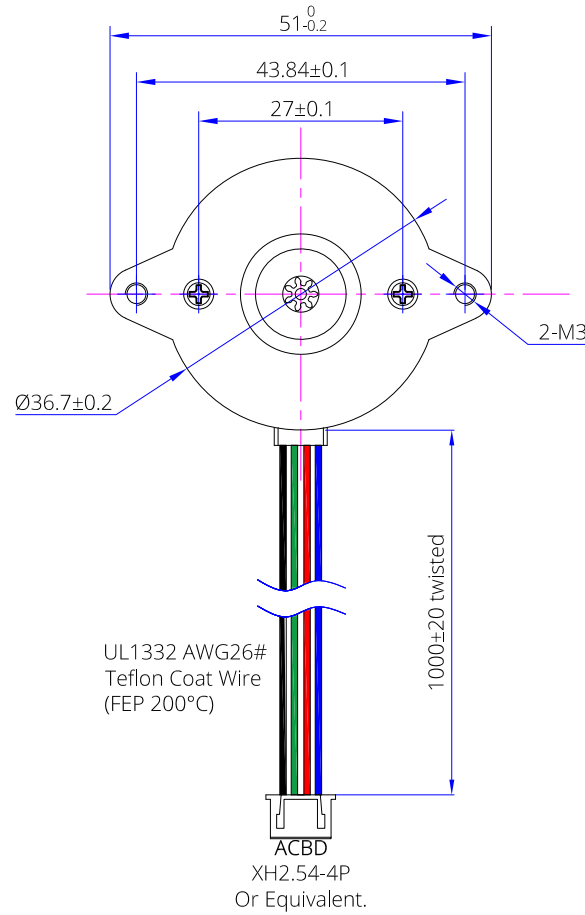
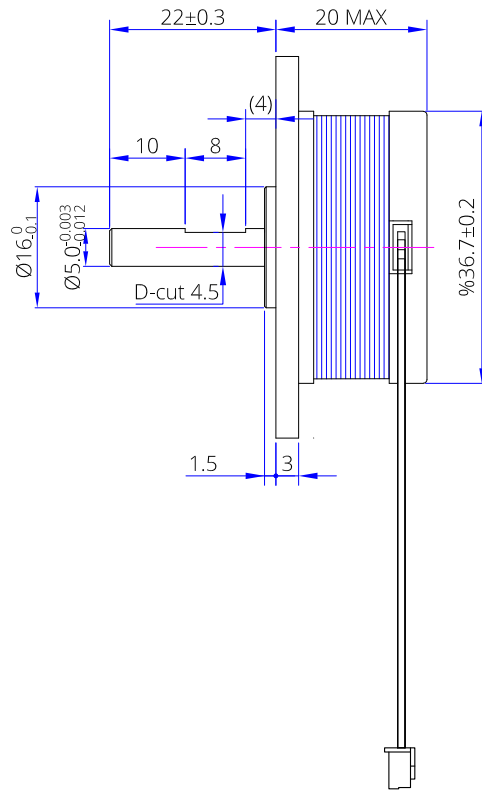
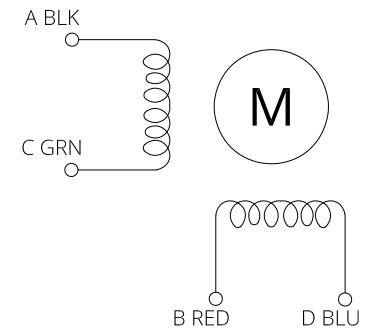


HT Stepper: (180 °C)



Diagram



Item	Specification	Item	Specification
Phase Number	2	Step Angle	1.8° ± 5%
Rated Voltage	DC 1.48V / Phase	Rated Current	DC 0.8A / Phase
Phase Resistance	1.85x(1±15%) Ω	Phase Inductance	1.05x(1±20%) mH
Holding Torque	80mN-m	Detent Torque	5 mN-m REF.
Rotate Direction	ACBDA CW	Insulate Resistance	100Mohm(DC500V)
HI-POT	AC600V/1mA/1S	Insulation Class	Class H 180°C
Rotor Inertia	16 g-cm ² REF	Weight	85 g REF

A		NEW RELEASE		Xu SD	J.B.	2/26/23
REV.	ECN NO.	DESCRIPTION		MADE BY	APPR. BY	DATE
		VIEW	LDO Motors Co., Ltd.			
		SCALE	Part NO.: 1.8° 36mm Round Pancake Stepper LDO-36STH20-0804AH(S22)			
DRAWN BY	CHECKED BY	APPR. BY	DATE	FACTORY CODE	SHEET NO.	
Xu SD	J.B.	J.B.	2/26/23		1/1	